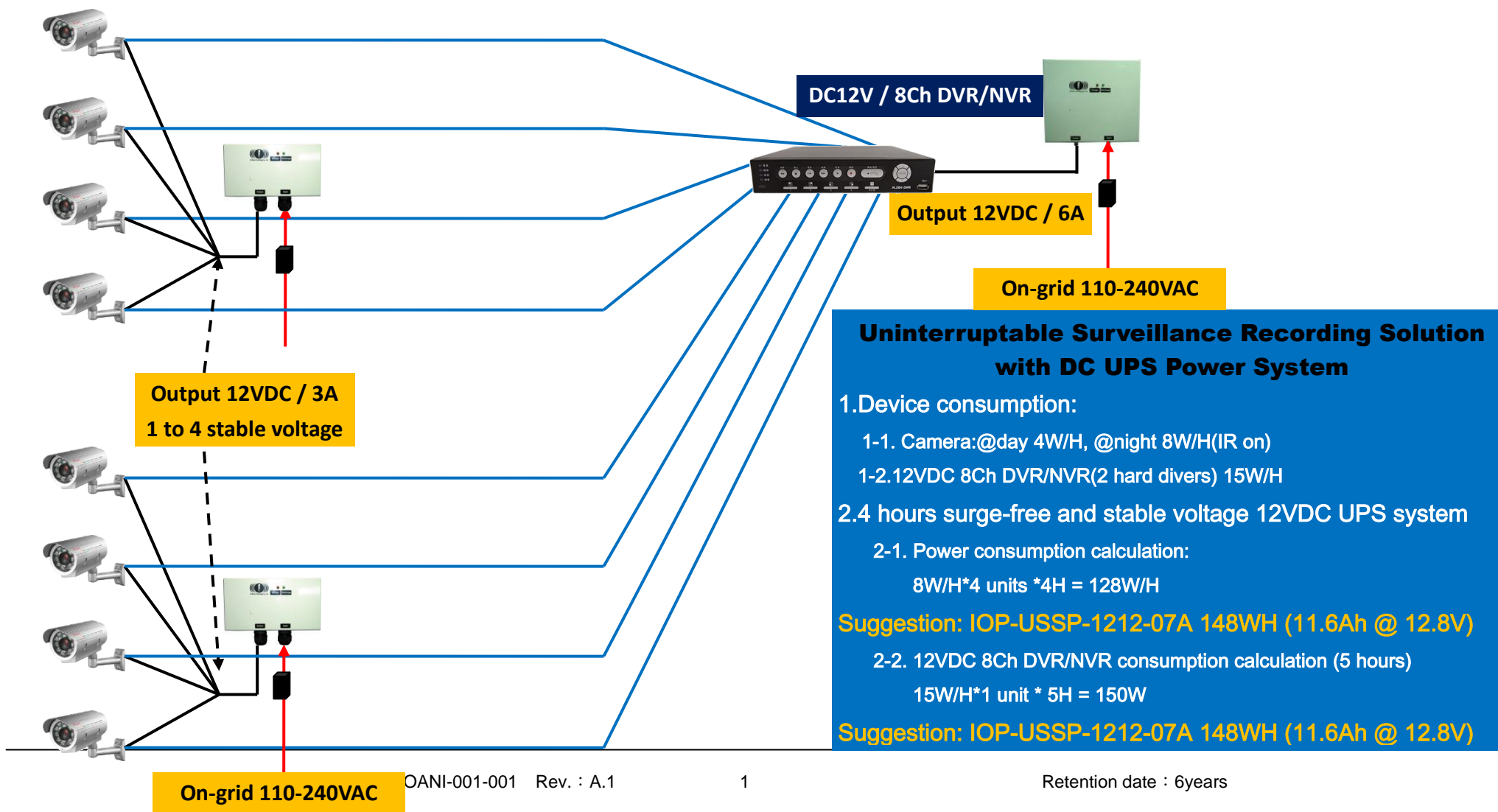




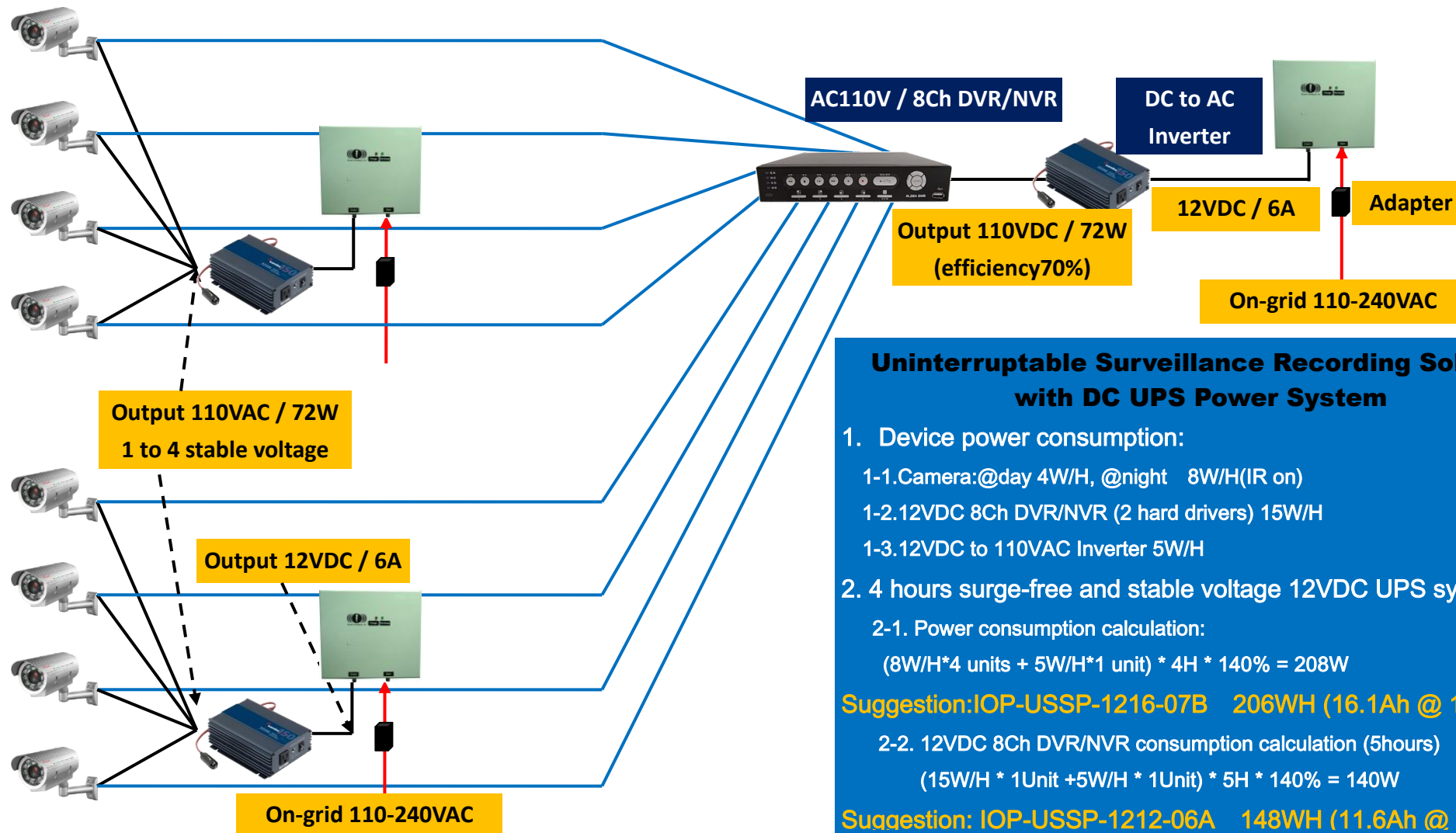
# Uninterruptable Surveillance Recording Solution with DC UPS Power System (Surge-free and Stable Voltage)

1. Surge-free and stable voltage 『12VDC』 UPS System solution: **Design 1: 4 hours of uninterruptable power supply during electricity blackout.**





## 2. Surge-free and stable voltage 『12VDC to 110VAC』 UPS System solution: **Design 2: 4 hours of uninterruptable power supply during electricity blackout.**



**Uninterruptable Surveillance Recording Solution with DC UPS Power System**

- Device power consumption:
  - 1-1. Camera: @day 4W/H, @night 8W/H (IR on)
  - 1-2. 12VDC 8Ch DVR/NVR (2 hard drivers) 15W/H
  - 1-3. 12VDC to 110VAC Inverter 5W/H
- 4 hours surge-free and stable voltage 12VDC UPS system
  - 2-1. Power consumption calculation:  
 $(8W/H * 4 \text{ units} + 5W/H * 1 \text{ unit}) * 4H * 140\% = 208W$   
**Suggestion: IOP-USSP-1216-07B 206WH (16.1Ah @ 12.8V)**
  - 2-2. 12VDC 8Ch DVR/NVR consumption calculation (5hours)  
 $(15W/H * 1 \text{ Unit} + 5W/H * 1 \text{ Unit}) * 5H * 140\% = 140W$   
**Suggestion: IOP-USSP-1212-06A 148WH (11.6Ah @ 12.8V)**

**Note : Batteries are similar to 『Large Capacitance』 function. Able to offer 『stable voltage』, absorb 『Surge』, and protect the devices.**



### 3. Surge-free and stable voltage UPS System solution Instruction:

#### Design 1: Surge-free and stable voltage 『12VDC』 UPS System solution

Brunei client took this design and completed the project on the highway in Brunei in Jul, supplying outdoor wireless device and IP Cam with IR function. The testing has been approved by the Brunei Highway Bureau. The extension is about to get started.

Benefit: 1. Power source is the streetlamp electricity. No need to wire again.

2. Supplies stable voltage by online UPS power.
3. 6 hours of uninterruptable surveillance recording.
4. 60°C high working temperature
5. Low maintenance.







## Design 2: Surge-free and stable voltage 『12VDC』 UPS System solution

Philippine client used plan 2 for city road surveillance in Philippines in August, supplying for outdoor wireless device, IP Cam with IR function, Speed dome and Fiber to Ethernet converter. The project has been checked and accepted by Philippine Police Station. It is the first 『uninterruptable power supply during electricity blackout』。

Benefit: 1.Power source is the streetlamp electricity. No need to wire again.

2. Supplies stable voltage by online UPS power.

3.6 hours of uninterruptable surveillance recording.

4. 60°C high working temperature

5. Low maintenance.

4. Street lamps DC UPS power system and 12VDC to 110VAC converter & optical transponder install images, total install 14 Unit Street lamps DC UPS for Point 1 ~ Point 16

